



8-Channel 0-10V Dimmer Wiring Guide

Figure 1. Wiring in Control4 Panel

Supported Model

- C4-DIN-0-10V-DIM-E 8-Channel Dimmer

Diagrams Color Code*:

Black		Line
Red		Switched Hot
Grey		Neutral
Green		Earth Ground
Blue		Ethernet
Violet		0-10V (+)
Grey Dashed		0-10V (-)
Orange		DC (+)
Orange Dashed		DC (control)

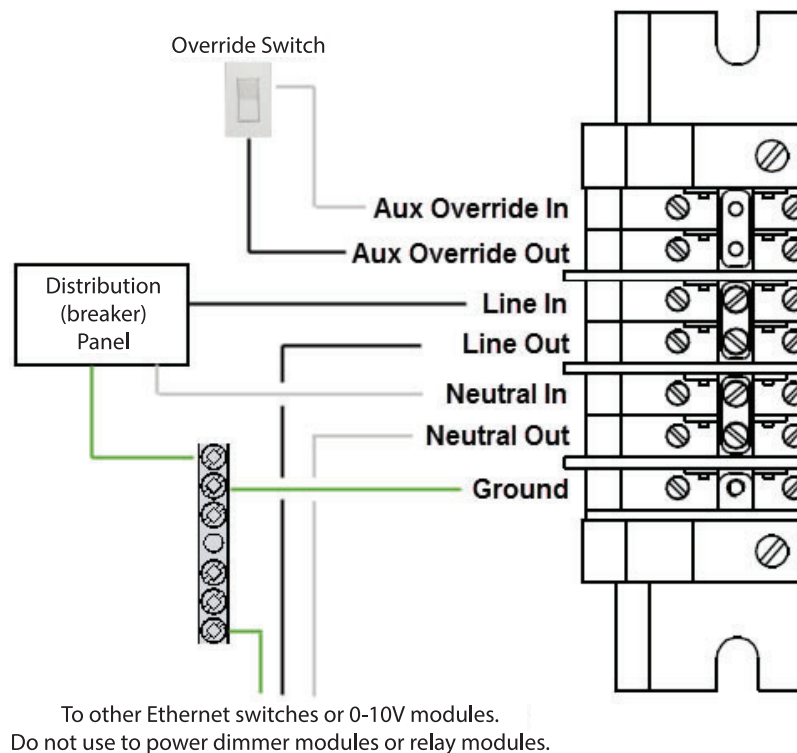
Wiring Diagrams

Use the Control4® 8-Channel 0-10V Dimmer wiring diagrams along with the *8-Channel 0-10V Dimmer Installation Guide* to install 8-Channel 0-10V Dimmers.

Note: Many 0-10V lights require control. Determine whether on/off control is required before completing wiring. If required, control can be provided one of two ways:

1. Wire on/off leads from the light fixture to the on/off terminal on a Control4 Relay Module
2. Wire on/off leads from the light fixture to the on/off terminal on a 0-10V Module external relay and then wire the external relay to the on/off terminal on the 0-10V Module external relay correspond to the 0-10V channels of the light fixture.

Examples of each type of on/off control are shown in the wiring diagrams provided to the right.



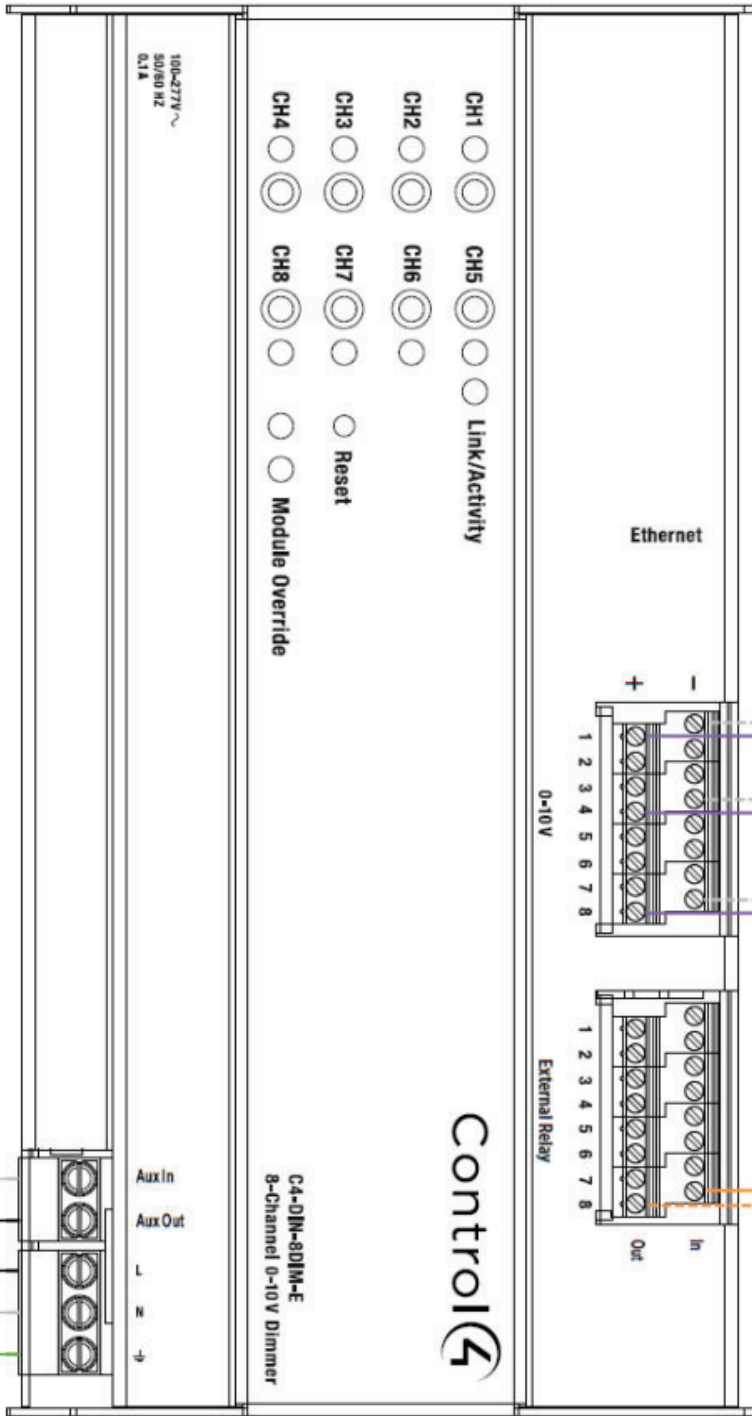
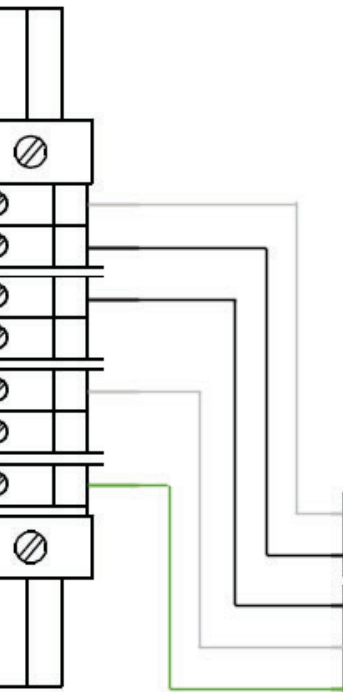
* **IMPORTANT!** The wire colors shown in Figures 1 and 2 and in the 'Diagrams Color Code' table are examples only. Actual wire colors differ by country and/or voltage.

separate on/off
 /off control is required
 required, on/off control
 ys:

ght to a channel

ght to an external
 nal relay to the
 terminals that
 nnel controlling

f control as well as
 ire on/off control are



To Control4 Relay Module
 for on/off control



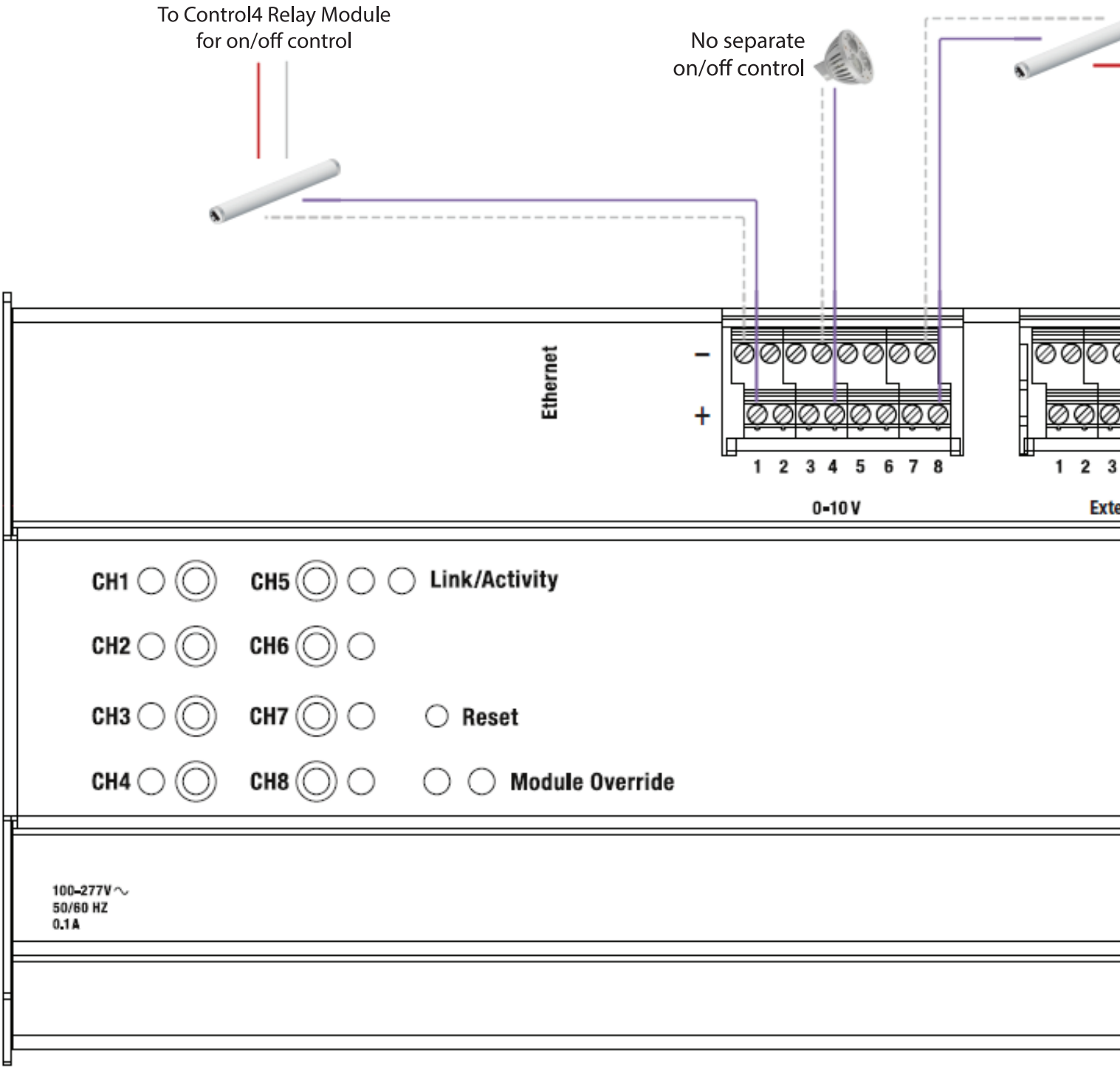
No separate
 on/off
 control



To Line
 Power

External Relay
 (such as Leviton OSP20-0D0)
 for on/off control.
 Refer to specific relay
 documentation for
 wiring info.)

Figure 2. Wiring in Standard DIN Rail Panel



Override Switch 

