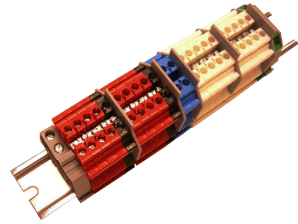


## Terminal Block Wiring Guide



### Supported models

- C4-DIN-TB-PO Power/Override Terminal Block (used with 8-Channel 0-10V Dimmer, 8-Port Ethernet Switch, and 48V Bus Power Supply)
- C4-DIN-TB-8DIM 8-Channel Dimmer Terminal Block
- C4-DIN-TB-8REL-V2 8-Channel Relay Terminal Block, V2

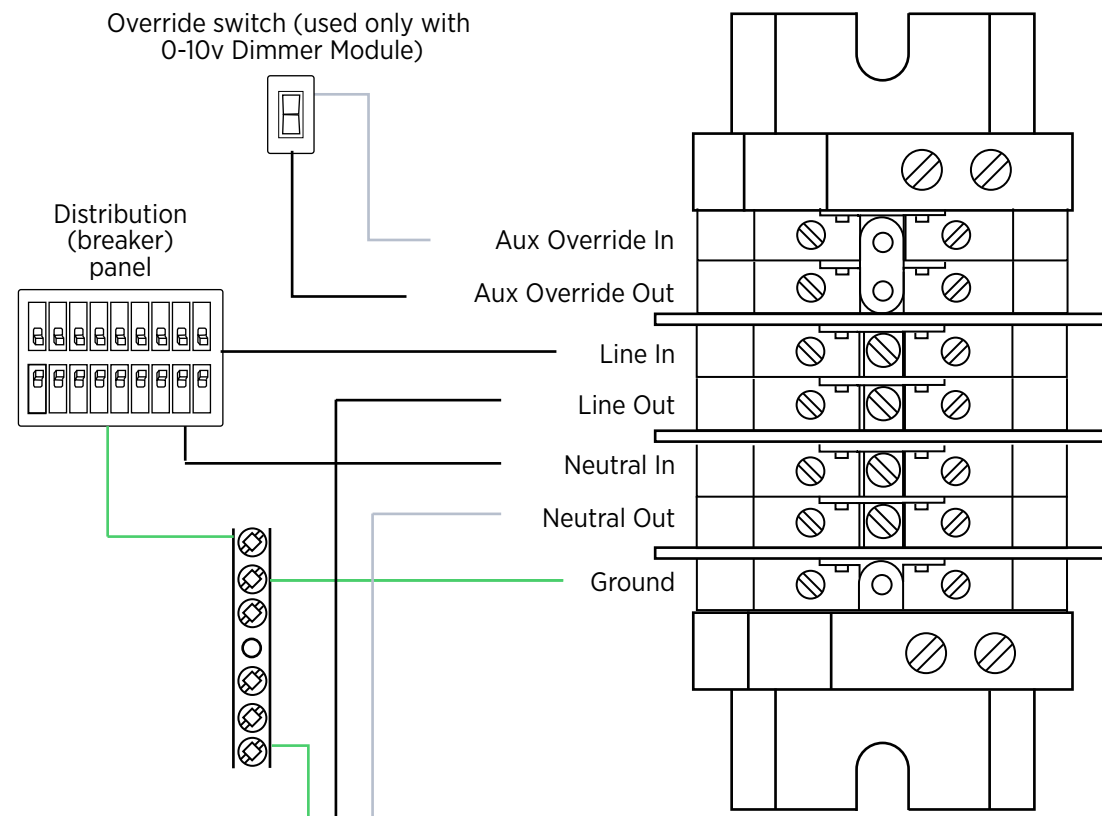
### Diagrams color code

- Black — Live
- Red — Load
- Gray — Neutral
- Green — Earth Ground

### Wiring diagrams

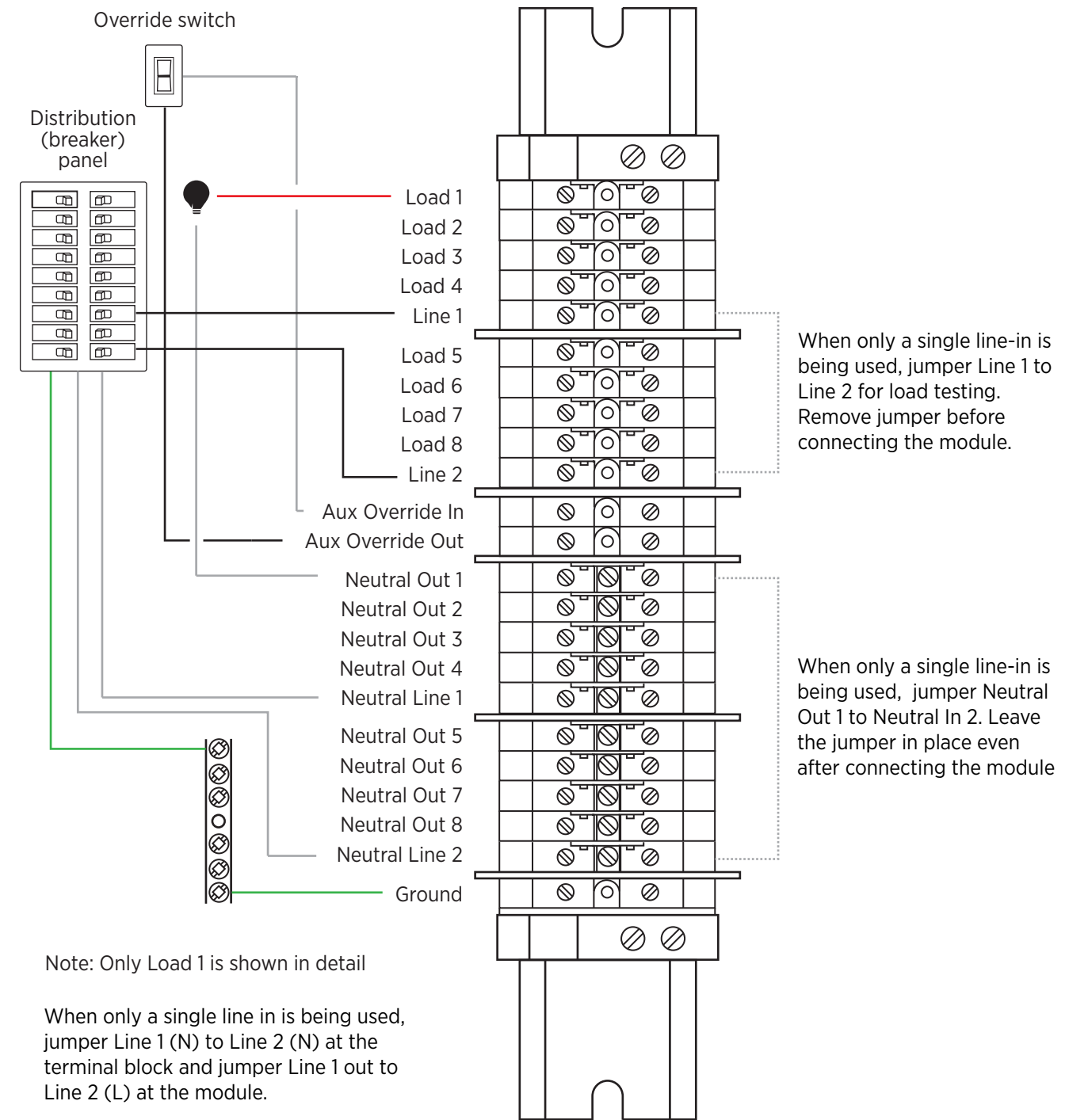
Refer to the Control4<sup>®</sup> Terminal Block wiring diagrams in this guide along with the *Terminal Block Installation Guide* ([ctrl4.co/blockinstall](http://ctrl4.co/blockinstall)) to install the terminal blocks for these Panelized Lighting modules: 8-Port Ethernet Switch, 48V Bus Power Supply, 8-Channel Dimmer, 8-Channel Relay, and 8-Channel 0-10V Dimmer.

Figure 1. Power/Override Terminal Block wiring



To other Ethernet Switches, 48V Bus Power Supplies, or 0-10V Dimmer Modules. Do not use to power Dimmer Modules or Relay Modules.

Note: All Line-Ins must be the same phase.  
Only Load 1 shown in detail



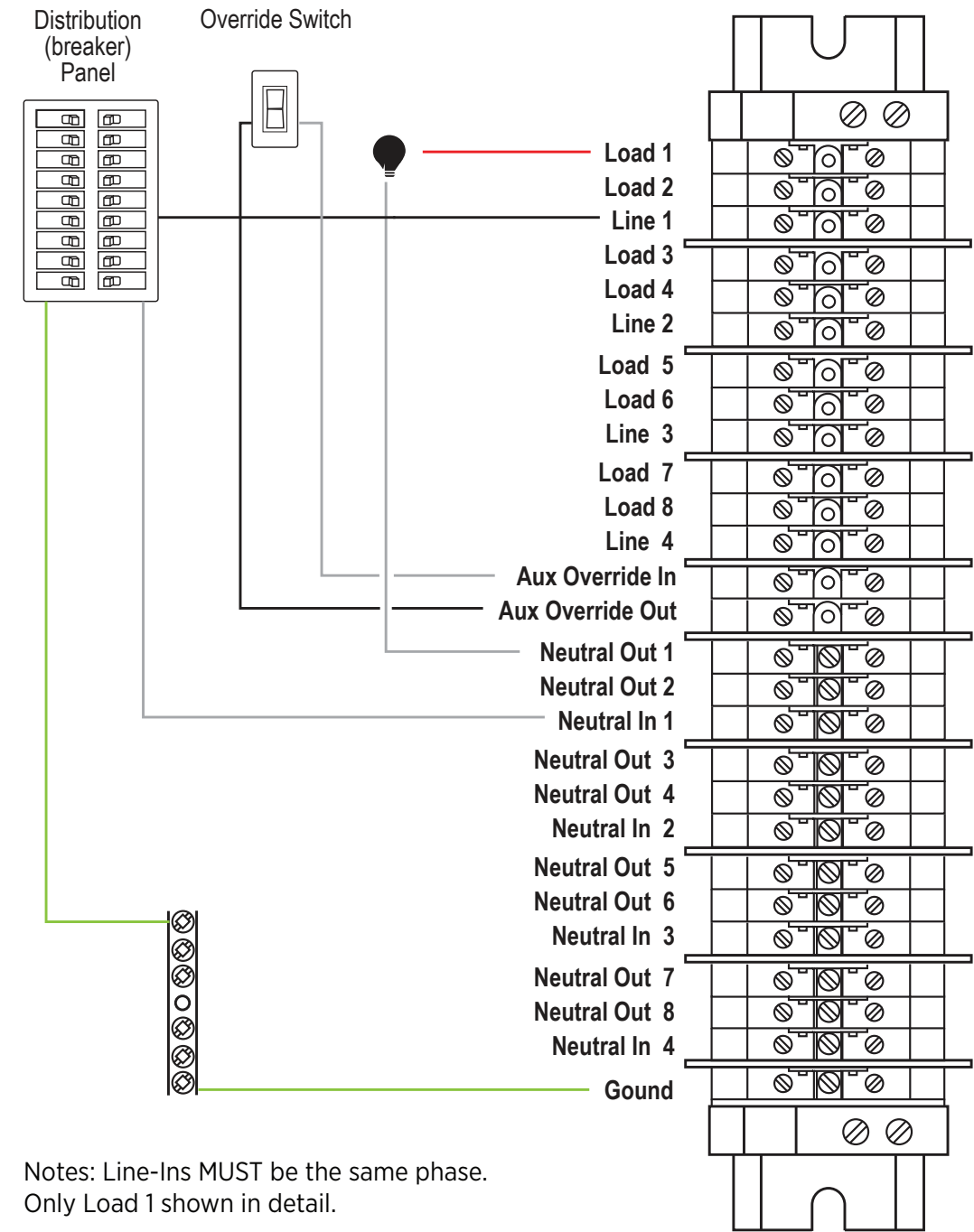
Note: Only Load 1 is shown in detail

When only a single line in is being used, jumper Line 1 (N) to Line 2 (N) at the terminal block and jumper Line 1 out to Line 2 (L) at the module.

When only a single line-in is being used, jumper Line 1 to Line 2 for load testing. Remove jumper before connecting the module.

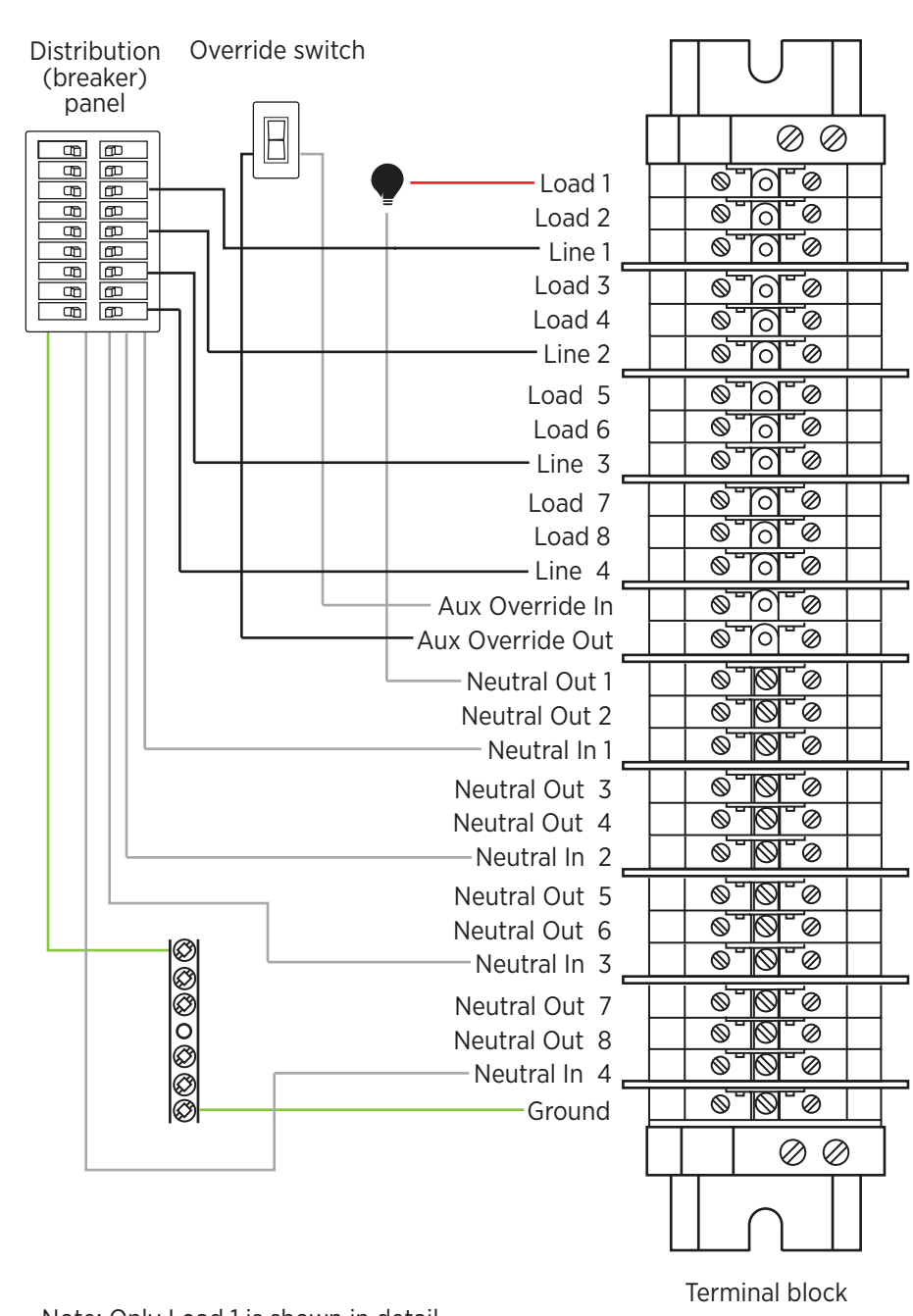
When only a single line-in is being used, jumper Neutral Out 1 to Neutral In 2. Leave the jumper in place even after connecting the module

Figure 3. C4-DIN-8REL-E2 8-Channel Relay Terminal Block Wiring



Notes: Line-Ins MUST be the same phase. Only Load 1 shown in detail.

Figure 4. C4-DIN-8REL-E-V2 8-Channel Relay Terminal Block Wiring



When only a single line-in is being used, jumper Line 1 to Line 2 for load testing. Remove jumper before connecting the module.

When only a single line-in is being used, jumper Neutral Out 1 to Neutral In 2. Leave the jumper in place even after connecting the module

Note: Only Load 1 is shown in detail

When only a single line in is being used, jumper Line 1 (N) to Line 2 (N) at the terminal block and jumper Line 1 out to Line 2 (L) at the module.

More help

For the latest version of this guide and to view additional materials, open the URL below or scan the QR code. Your device must be able to view PDFs.



[ctrl4.co/blockwiring](http://ctrl4.co/blockwiring)



[ctrl4.co/blockinstall](http://ctrl4.co/blockinstall)



[control4.com](http://control4.com) | 888.400.4070