

Terminal Block Wiring Guide

Supported Models

- C4-DIN-TB-PO 8-Port Ethernet Switch Terminal Block
- C4-DIN-TB-8DIM 8-Channel Dimmer Terminal Block
- C4-DIN-TB-8REL 8-Channel Relay Terminal Block

Diagrams Color Code:

Black		Live
Red		Load
Grey		Neutral
Green		Earth Ground

Wiring Diagrams

Refer to the Control4® Terminal Block wiring diagrams in this guide along with the *Terminal Block Installation Guide* to install the Terminal Blocks for these panelized lighting modules: 8-Port Ethernet Switch, 8-Channel Dimmer, and 8-Channel Relay, and 8-Channel 0-10V Dimmer.

Figure 1. 8-Port Ethernet Switch and 8-Channel 0-10V Dimmer Terminal Block Wiring

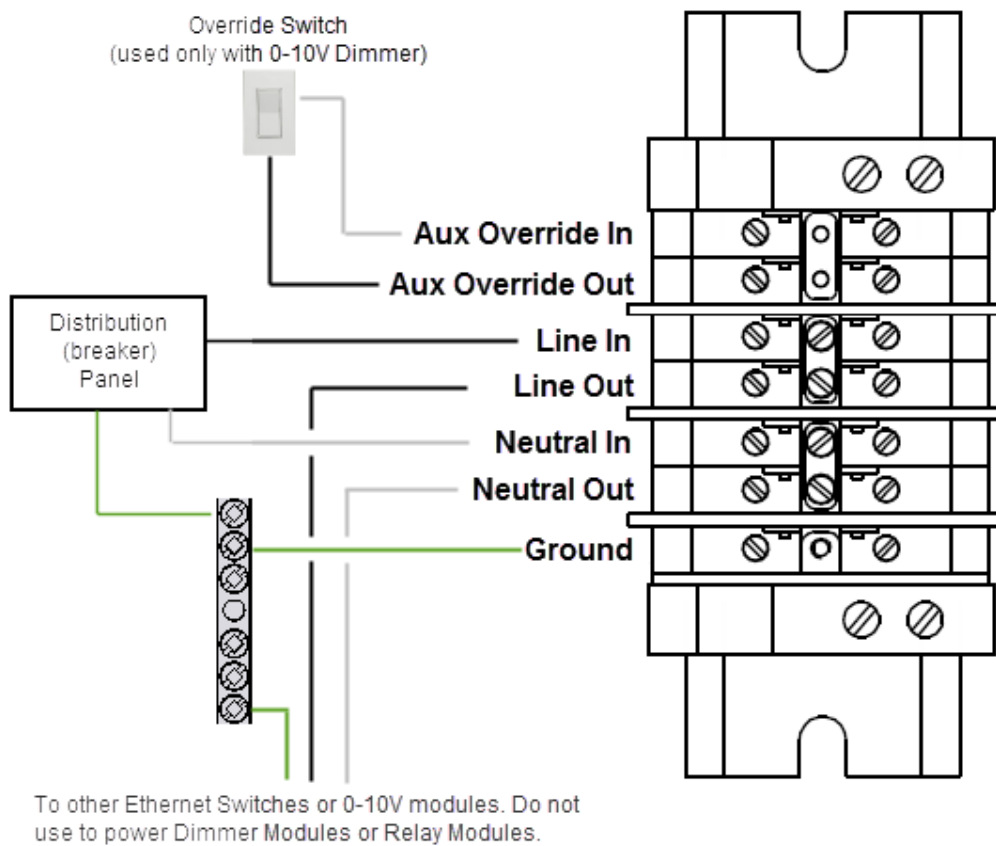


Figure 2. 8-Channel Dimmer Terminal Block Wiring

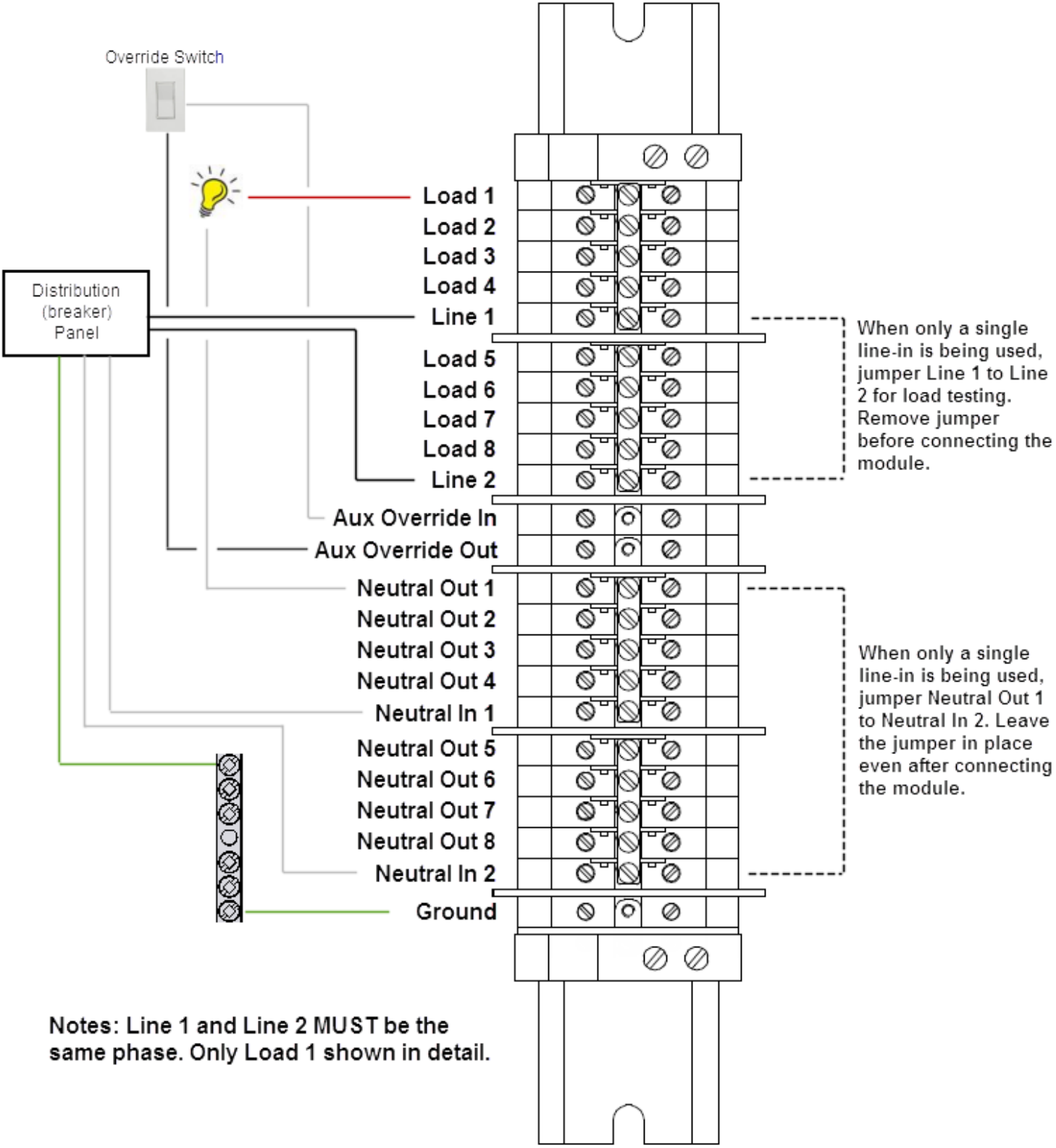
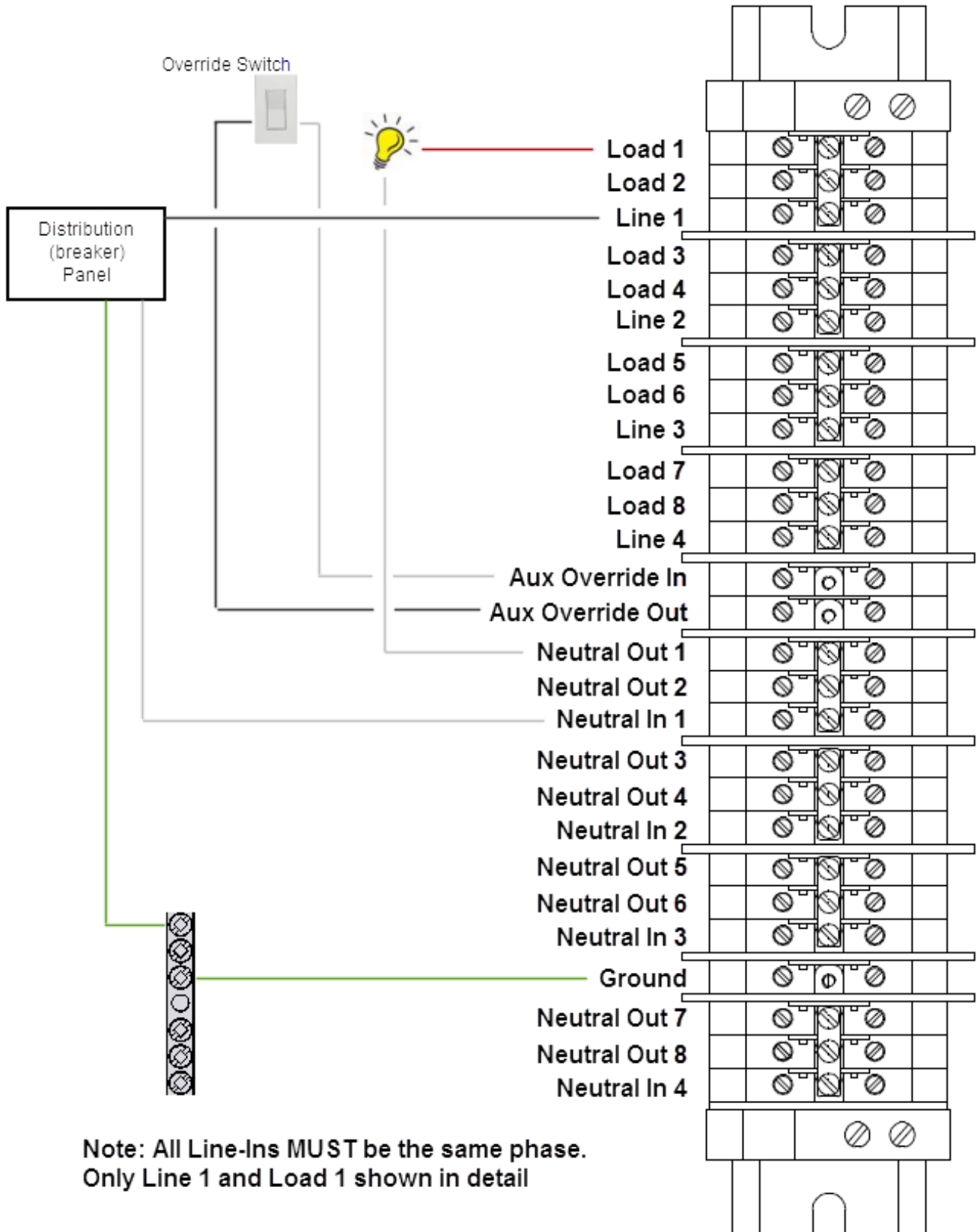


Figure 3. 8-Channel Relay Terminal Block Wiring



About this Document

Part Number: 200-00249 Rev A 06/14/2012